

SMT CURRENT SENSE TRANSFORMERS

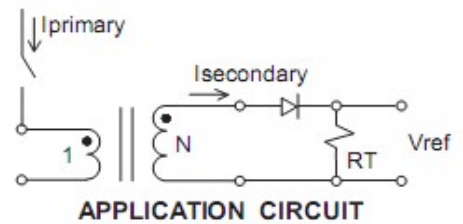
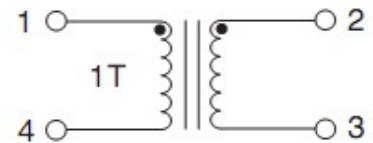
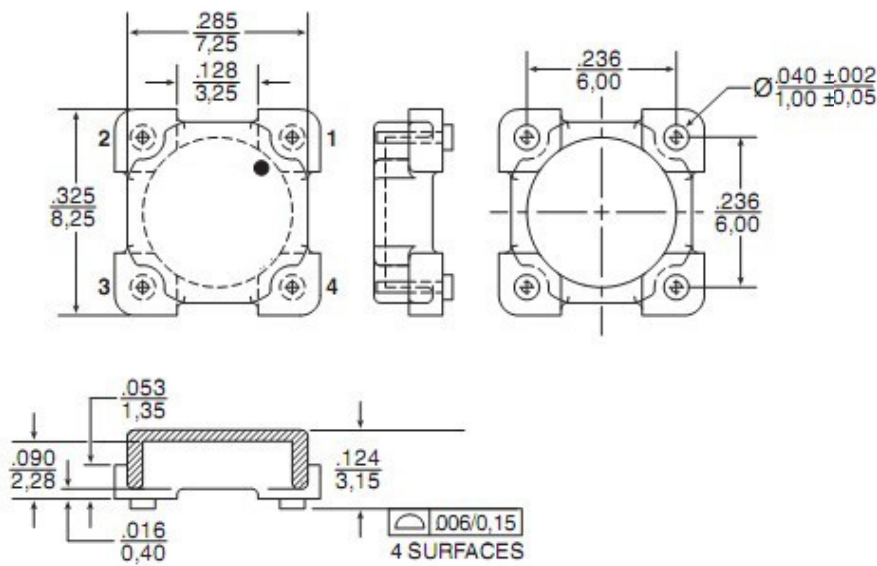
S-0368NL Series

- Height: 3.3mm Max
- Footprint: 8.4mm x 8.4mm Max
- Current Rating: up to 4A
- Frequency Range: 50kHz to 1MHz



Mechanical

Schematic



Weight.....0.3 grams
 Tape & Reel..... 1100/reel
 Coplanarity..... 0.004 inches

Dimensions: $\frac{\text{Inches}}{\text{mm}}$

Unless otherwise specified, all tolerances are $\pm \frac{.010}{0,25}$