

SMT CURRENT SENSE TRANSFORMERS

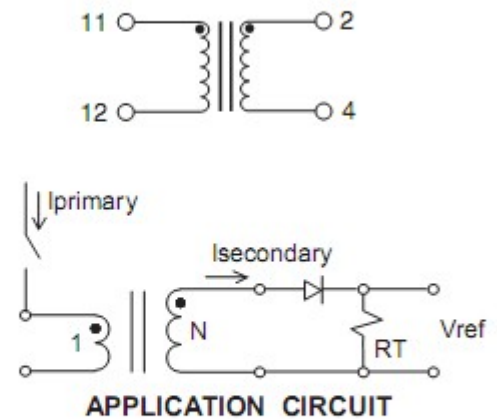
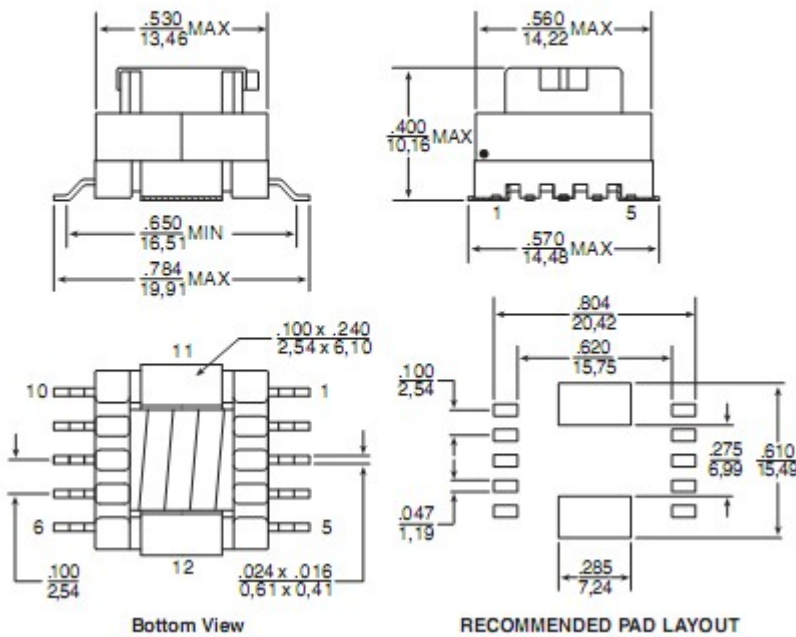
S-002XNL Series



- Height: 10.2mm Max
- Footprint: 19.9mm x 14.5mm Max
- Current Rating: up to 35A
- Frequency Range: 50kHz to 500kHz

Mechanical

Schematic



Weight.....4.7 grams
 Tray.....100/tray
 Tape & Reel..... 300/reel
 Coplanarity..... 0.006 inches

Dimensions: $\frac{\text{Inches}}{\text{mm}}$

Unless otherwise specified, all tolerances are $\pm \frac{.010}{0,25}$