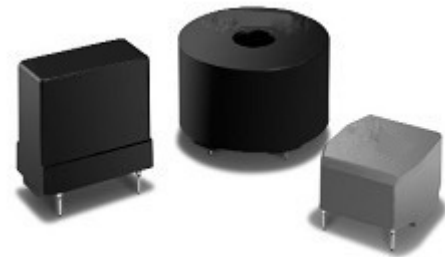
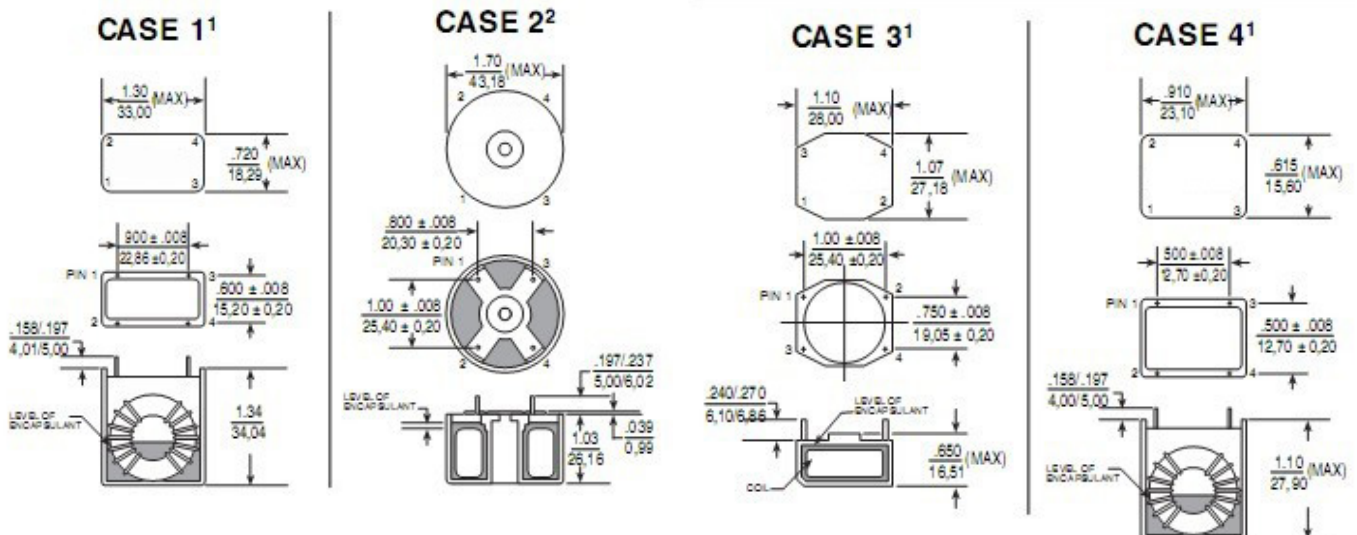


500 kHz COMMON MODE EMI INDUCTORS

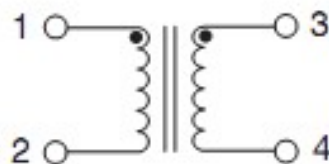


- Common mode EMI Inductors
- Designed for higher frequency power conversion
- For use in SMPS input filtering circuits

Mechanicals



Schematic



Dimensions: $\frac{\text{Inches}}{\text{mm}}$

Unless otherwise specified, all tolerances are $\pm \frac{.010}{0,25}$